

POSITIVE DISPLACEMENT

Plunger Pump

POSITIVE DISPLACEMENT PLUNGER PUMP

Spring return

300

l/h

RBA

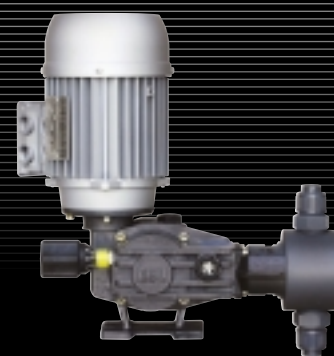
RBB

RCC

BLACK LINE

BLACK LINE

BLACK PLUS



RBA	L/h	6,5	16	24	34	50	100	140	200	300
	bar max	10	10	10	10	10	10	10	9	5

RBB	L/h	5	11	30	55	90	150	200	250	300
	bar max	40	40	30	23	12	10	7	5	4

RCC	L/h	4	10	20	30	55	90	120	160	200	250	300
	bar max	40	40	40	40	26	12	10	9	8	6	5

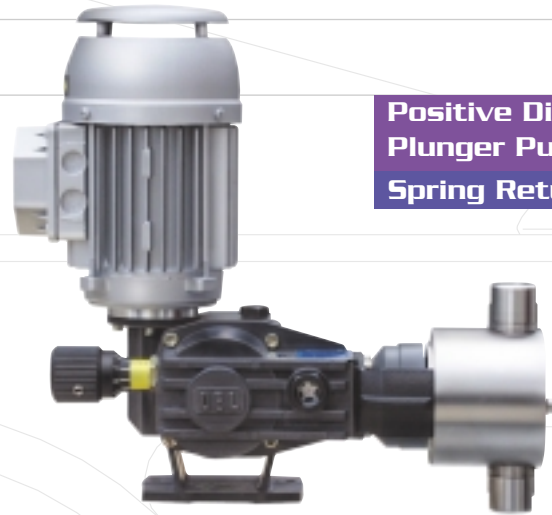


- > Black anodizing Aluminium casing
- > Simple and robust spring return plunger pump
- > Low cost, due to reduced number of components
- > Ideal for metering of mild or non-aggressive fluids



TECHNICAL DATA

Positive Displacement Plunger Pump Spring Return



RBA series positive displacement pump with AISI 316L pump head. Plunger lip seals packing. 300 l/h max flow rate.

50 Hz

TYPE	STROKES /1	MAX FLOW RATE l/h	MAX PRESSURE BAR		MOTOR kW		THREADED CONNECTIONS	
			MOTOR		3PH	1PH	A	P
			3PH	1PH				
RBA16	36	5	10	10	0,20	0,24	3/8" g.f.- BSPF	
RBA16	50	7	10	10	0,20	0,24	3/8" g.f.- BSPF	
RBA16	70	11	10	10	0,20	0,24	3/8" g.f.- BSPF	
RBA16	95	15	10	10	0,20	0,24	3/8" g.f.- BSPF	
RBA16	115	18	10	10	0,20	0,24	3/8" g.f.- BSPF	
RBA25	50	20	10	10	0,20	0,24	3/8" g.f.- BSPF	
RBA25	70	30	10	10	0,20	0,24	3/8" g.f.- BSPF	
RBA25	95	38	10	10	0,20	0,24	3/8" g.f.- BSPF	
RBA25	115	45	10	10	0,20	0,24	3/8" g.f.- BSPF	
RBA30	50	30	10	10	0,20	0,24	3/8" g.f.- BSPF	
RBA30	70	40	10	10	0,20	0,24	3/8" g.f.- BSPF	
RBA30	95	55	10	10	0,20	0,24	3/8" g.f.- BSPF	
RBA30	115	65	10	10	0,20	0,24	3/8" g.f.- BSPF	
RBA43	50	55	10	10	0,30	0,24	3/8" g.f.- BSPF	
RBA43	70	90	10	10	0,30	0,24	3/8" g.f.- BSPF	
RBA43	95	115	10	10	0,30	0,24	3/8" g.f.- BSPF	
RBA43	115	150	10	10	0,30	0,24	3/8" g.f.- BSPF	
RBA50	50	80	10	10	0,30	0,24	1/2" g.f.- BSPF	
RBA50	70	120	10	8	0,30	0,24	1/2" g.f.- BSPF	
RBA50	95	160	10	7	0,30	0,24	1/2" g.f.- BSPF	
RBA50	115	200	9	6	0,30	0,24	1/2" g.f.- BSPF	
RBA62	50	125	10	5	0,30	0,24	1/2" g.f.- BSPF	
RBA62	70	175	7	4	0,30	0,24	1/2" g.f.- BSPF	
RBA62	95	250	6	3,5	0,30	0,24	1/2" g.f.- BSPF	
RBA62	115	300	5	3	0,30	0,24	1/2" g.f.- BSPF	

- Flow rates:**
 - Max flow rate **300 L/h.**
- Motors:**
 - Threephase special - 0.20 / 0.30 kW
4 Poles - IP55 - I.C.L.F - S1 - IEC 34-1
Δ - 230 V - 50Hz
λ - 400 V - 50Hz
 - Singlephase special - 0.24 kW
4 Poles - IP55 - I.C.L.F - S1 - IEC 34-1
220÷240 V - 50 Hz
110÷115 V - 50 Hz

- Pump:**
 - Single unit
- Adjustment:**
 - 0-10 scale micrometer knob
- Material:**
 - Aluminium casing
 - PTFE coated cast iron lantern ring
- Stroke:**
 - 15 mm.
- Weight:**
 - 15÷30 Kgs



MODEL NUMBER

KEY TO SYMBOLS

- PUMP MODEL
- Ø PLUNGER
- A AISI-316L VERSION
- P PVC VERSION
- STROKES PER MINUTE
- Z OBL 4÷20 mA ELECTRIC ACTUATOR
- W 3÷15 PSI PNEUMATIC ACTUATOR
- F UNI-DIN FLANGED CONNECTIONS

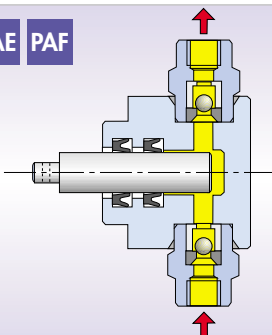
RBA 30 A 95



PUMP HEADS MATERIALS OF CONSTRUCTION

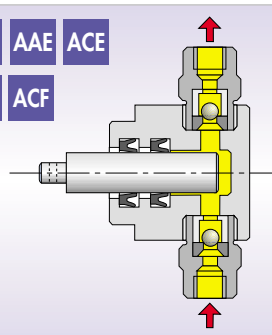
PARTS	PAE	PAF	PCE	PCF	PCB	PCV	AAF	AAE	ACE	ACV	ACF
LIQUID END	PVC	PVC	PVC	PVC	PVC	PVC	AISI-316L	AISI-316L	AISI-316L	AISI-316L	AISI-316L
PLUNGER	AISI-316L	AISI-316L	CERAMIC	CERAMIC	CERAMIC	CERAMIC	AISI-316L	AISI-316L	CERAMIC	CERAMIC	CERAMIC
VALVE SEAT	AISI-316L	AISI-316L	PVC	PVC	AISI-316L	AISI-316L	AISI-316L	AISI-316L	AISI-316L	AISI-316L	AISI-316L
VALVE GUIDE	PP	PP	PP	PP	PP	PP	AISI-316L	AISI-316L	AISI-316L	AISI-316L	AISI-316L
VALVE	AISI-316L	AISI-316L	PIREX	PIREX	AISI-316L	AISI-316L	AISI-316L	AISI-316L	AISI-316L	AISI-316L	AISI-316L
VALVE CONTAINER	PVC	PVC	PVC	PVC	PVC	PVC	AISI-316L	AISI-316L	AISI-316L	AISI-316L	AISI-316L
PLUNGER PACK.	EPDM	FPM	EPDM	FPM	EPDM	VULKOL.	FPM	EPDM	EPDM	VULKOL.	FPM

PAE PAF



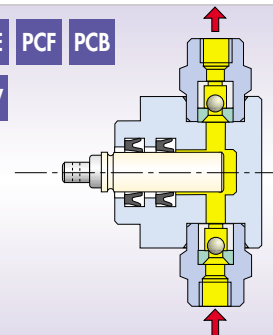
PVC head, stainless steel plunger and valves. "PA" execution. Threaded connections.

AAF AAE ACE
ACV ACF



Stainless steel head and inox steel plunger. "A" execution. Threaded connections.

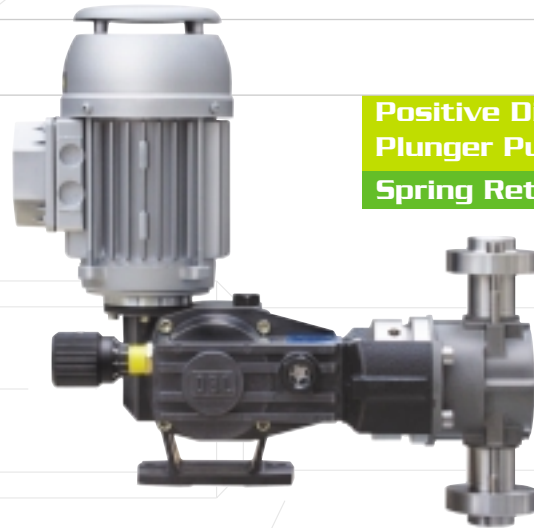
PCE PCF PCB
PCV



PVC head, ceramic plunger. "PC" execution. Threaded connections.

TECHNICAL DATA

Positive Displacement Plunger Pump Spring Return



RBB series plunger positive displacement with AISI 316L pump head. Chevron PTFE rings plunger packing with gland nut, 300/h max flow rate.

- Flow rates:**
 - Max flow rate **300 L/h.**
- Motors:**
 - Threephase special - 0.20 / 0.30 kW - 4 Poles - IP55 - I.C.L.F - S1 - IEC 34-1
 Δ - 230 V - **50** Hz
 λ - 400 V - **50** Hz
 - Singlephase special - 0.24 kW
 4 Poles - IP55 - I.C.L.F - S1 - IEC 34-1
 220÷240 V - **50** Hz
 110÷115 V - **50** Hz
- Pump:**
 - Single unit
- Adjustment:**
 - 0-10 scale micrometer knob
- Material:**
 - Aluminium casing
 - PTFE coated cast iron lantern ring
- Stroke:**
 - **15** mm.
- Weight:**
 - **15÷30** Kgs

* Pressure with singlephase motor decreases by 25% for sizes: **RBB25-30-43ATL - RBB50 A/P.**

50 Hz

TYPE	STROKES /	MAX FLOW RATE l/h	MAX PRESSURE BAR			MOTOR kW		THREADED CONNECTIONS	
			A	ATL	P	3PH	1PH	A-ATL	P
RBB6	50	0,8	-	40	10	0,20	0,24	1/4" g.f. B5PF	
RBB6	70	1,2	-	40	10	0,20	0,24	1/4" g.f. B5PF	
RBB6	95	1,8	-	40	10	0,20	0,24	1/4" g.f. B5PF	
RBB6	115	2,2	-	40	10	0,20	0,24	1/4" g.f. B5PF	
RBB10	36	2	10	40	10	0,20	0,24	1/4" g.f. B5PF	
RBB10	50	3	10	40	10	0,20	0,24	1/4" g.f. B5PF	
RBB10	70	4	10	40	10	0,20	0,24	3/8" g.f. B5PF	1/4" g.f. B5PF
RBB10	95	5,5	10	40	10	0,20	0,24	3/8" g.f. B5PF	1/4" g.f. B5PF
RBB10	115	7	10	40	10	0,20	0,24	3/8" g.f. B5PF	1/4" g.f. B5PF
RBB16	36	5	10	40	10	0,20	0,24	3/8" g.f. B5PF	
RBB16	50	7	10	40	10	0,20	0,24	3/8" g.f. B5PF	
RBB16	70	11	10	40	10	0,20	0,24	3/8" g.f. B5PF	
RBB16	95	15	10	40	10	0,20	0,24	3/8" g.f. B5PF	
RBB16	115	18	10	40	10	0,20	0,24	3/8" g.f. B5PF	
RBB25	36	15	10	30	10	0,20	0,24	3/8" g.f. B5PF	
RBB25	50	20	10	30	10	0,20	0,24	3/8" g.f. B5PF	
RBB25	70	30	10	30	10	0,20	0,24	3/8" g.f. B5PF	
RBB25	95	38	10	25	10	0,20	0,24	3/8" g.f. B5PF	
RBB25	115	45	10	20	10	0,20	0,24	3/8" g.f. B5PF	
RBB30	36	20	10	30	10	0,30	0,24	3/8" g.f. B5PF	
RBB30	50	30	10	30	10	0,30	0,24	3/8" g.f. B5PF	
RBB30	70	40	10	28	10	0,30	0,24	3/8" g.f. B5PF	
RBB30	95	55	10	23	10	0,30	0,24	3/8" g.f. B5PF	
RBB30	115	65	10	20	10	0,30	0,24	3/8" g.f. B5PF	
RBB43	36	40	10	12	10	0,30	0,24	3/8" g.f. B5PF	
RBB43	50	55	10	12	10	0,30	0,24	3/8" g.f. B5PF	
RBB43	70	90	10	12	10	0,30	0,24	3/8" g.f. B5PF	
RBB43	95	115	10	12	10	0,30	0,24	3/8" g.f. B5PF	
RBB43	115	150	10	10	10	0,30	0,24	1/2" g.f. B5PF	
RBB50	36	58	10	-	10	0,30	0,24	1/2" g.f. B5PF	
RBB50	50	80	10	-	10	0,30	0,24	1/2" g.f. B5PF	
RBB50	70	120	10	-	10	0,30	0,24	1/2" g.f. B5PF	
RBB50	95	160	9	-	9	0,30	0,24	1/2" g.f. B5PF	
RBB50	115	200	7	-	7	0,30	0,24	1/2" g.f. B5PF	
RBB62	36	90	7	-	7	0,30	-	3/4" g.f. B5PF	1/2" g.f. B5PF
RBB62	50	125	7	-	7	0,30	-	3/4" g.f. B5PF	1/2" g.f. B5PF
RBB62	70	175	6	-	6	0,30	-	3/4" g.f. B5PF	1/2" g.f. B5PF
RBB62	95	250	5	-	5	0,30	-	3/4" g.f. B5PF	1/2" g.f. B5PF
RBB62	115	300	4	-	4	0,30	-	3/4" g.f. B5PF	1/2" g.f. B5PF

MODEL NUMBER

KEY TO SYMBOLS

PUMP MODEL

Ø PLUNGER

A AISI-316L VERSION

P PVC VERSION

STROKES PER MINUTE

Z OBL 4÷20 mA ELECTRIC ACTUATOR

W 3÷15 PSI PNEUMATIC ACTUATOR

F UNI-DIN FLANGED CONNECTIONS

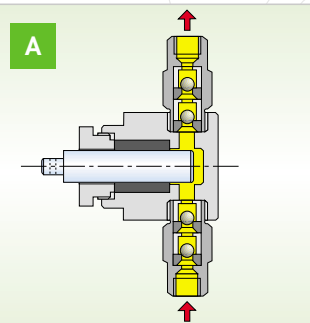
... = 0 ÷ 10 BAR VERSION (NO NEED OF MODEL NO.)

TL = 10 ÷ 40 BAR

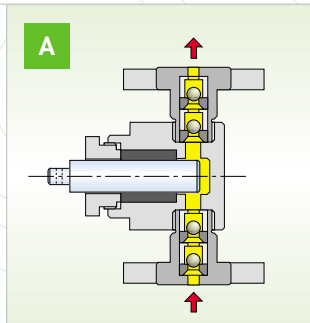
RBB 30 A 95

PUMP HEADS MATERIALS OF CONSTRUCTION

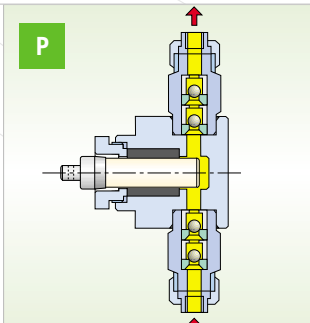
PARTS	A	P	P11	ATL	AC	AC TL
LIQUID END	AISI-316L	PVC	PVC	AISI-316L	AISI-316L	AISI-316L
PLUNGER	AISI-316L	CERAMIC	CERAMIC	AISI-316L	CERAMIC	CERAMIC
PLUNGER PACK.	PTFE	PTFE	PTFE	PTFE	PTFE	PTFE
VALVE SEAT	AISI-316L	PVC	AISI-316L	AISI-316L	AISI-316L	AISI-316L
VALVE	AISI-316L	PIREX	AISI-316L	AISI-316L	AISI-316L	AISI-316L
VALVE SEAL	FPM	FPM	FPM	FPM	FPM	FPM



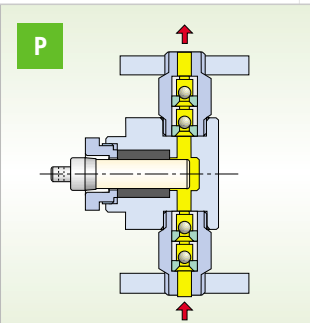
Stainless steel head. "A" execution. Threaded connections.



Stainless steel head. "A" execution. Flanged connections.

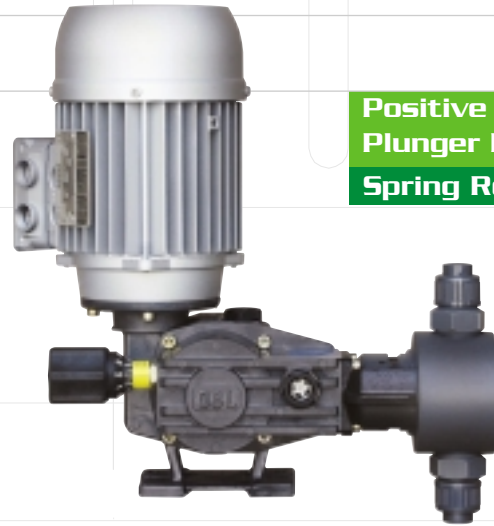


PVC head. "P" execution. Threaded connections.



PVC head. "P" execution. Flanged connections.

**Positive Displacement
Plunger Pump
Spring Return**



RCC series plunger positive displacement with PVC pump head. Chevron PTFE rings plunger packing with gland nut, 300/h max flow rate.

- Flow rates:**
 - Max flow rate **300 L/h.**
- Motors:**
 - Threephase standard - 0,37 kW - 6R 71 B14-4 Poles- IP55 - I.CL.F - IEC34-1 (S1) Δ - 230 V - **50 Hz**
 - Singlephase standard - 0,37 kW - 6R 71 B14 - 4 Poli - IP55 - I.CL.F - IEC34-1 (S1) 230 V - **50 Hz**
- Pump:**
 - Single unit
- Adjustment:**
 - Micrometer knob.
- Materials:**
 - Aluminium casing
 - PTFE coated cast iron lantern ring
- Stroke:**
 - **15 mm.**
- Weight:**
 - **15±20 Kgs**

* Pressure with singlephase motor decreases by 25% for sizes: **RCC50-62** and **ATL** versions.

TECHNICAL DATA

TYPE	STROKES /	MAX FLOW RATE l/h	MAX PRESSURE BAR			CONNECTIONS			
			A	ATL	P	THREADED		FLANGED	
						A-ATL	P	A-ATL	P
RCC6	50	0,8	-	40	10	1/4" g.f. BSPP	1/4" g.f. BSPP	DN 15	DN 15
RCC6	70	1,2	-	40	10	1/4" g.f. BSPP	1/4" g.f. BSPP	DN 15	DN 15
RCC6	95	1,8	-	40	10	1/4" g.f. BSPP	1/4" g.f. BSPP	DN 15	DN 15
RCC6	115	2,2	-	40	10	1/4" g.f. BSPP	1/4" g.f. BSPP	DN 15	DN 15
RCC10	36	2	10	40	10	1/4" g.f. BSPP	1/4" g.f. BSPP	DN 15	DN 15
RCC10	50	3	10	40	10	1/4" g.f. BSPP	1/4" g.f. BSPP	DN 15	DN 15
RCC10	70	4	10	40	10	3/8" g.f. BSPP	1/4" g.f. BSPP	DN 15	DN 15
RCC10	95	5,5	10	40	10	3/8" g.f. BSPP	1/4" g.f. BSPP	DN 15	DN 15
RCC10	115	7	10	40	10	3/8" g.f. BSPP	1/4" g.f. BSPP	DN 15	DN 15
RCC16	36	5	10	40	10	3/8" g.f. BSPP	3/8" g.f. BSPP	DN 15	DN 15
RCC16	50	7	10	40	10	3/8" g.f. BSPP	3/8" g.f. BSPP	DN 15	DN 15
RCC16	70	11	10	40	10	3/8" g.f. BSPP	3/8" g.f. BSPP	DN 15	DN 15
RCC16	95	15	10	40	10	3/8" g.f. BSPP	3/8" g.f. BSPP	DN 15	DN 15
RCC16	115	18	10	40	10	3/8" g.f. BSPP	3/8" g.f. BSPP	DN 15	DN 15
RCC25	36	15	10	40	10	3/8" g.f. BSPP	3/8" g.f. BSPP	DN 15	DN 15
RCC25	50	20	10	40	10	3/8" g.f. BSPP	3/8" g.f. BSPP	DN 15	DN 15
RCC25	70	30	10	40	10	3/8" g.f. BSPP	3/8" g.f. BSPP	DN 15	DN 15
RCC25	95	38	10	35	10	3/8" g.f. BSPP	3/8" g.f. BSPP	DN 15	DN 15
RCC25	115	45	10	20	10	3/8" g.f. BSPP	3/8" g.f. BSPP	DN 15	DN 15
RCC30	36	20	10	40	10	3/8" g.f. BSPP	3/8" g.f. BSPP	DN 15	DN 15
RCC30	50	30	10	40	10	3/8" g.f. BSPP	3/8" g.f. BSPP	DN 15	DN 15
RCC30	70	40	10	35	10	3/8" g.f. BSPP	3/8" g.f. BSPP	DN 15	DN 15
RCC30	95	55	10	26	10	3/8" g.f. BSPP	3/8" g.f. BSPP	DN 15	DN 15
RCC30	115	65	10	22	10	3/8" g.f. BSPP	3/8" g.f. BSPP	DN 15	DN 15
RCC43	36	40	10	12	10	1/2" g.f. BSPP	1/2" g.f. BSPP	DN 15	DN 15
RCC43	50	55	10	12	10	1/2" g.f. BSPP	1/2" g.f. BSPP	DN 15	DN 15
RCC43	70	90	10	12	10	1/2" g.f. BSPP	1/2" g.f. BSPP	DN 15	DN 15
RCC43	95	115	10	12	10	1/2" g.f. BSPP	1/2" g.f. BSPP	DN 15	DN 15
RCC43	115	150	10	-	10	1/2" g.f. BSPP	1/2" g.f. BSPP	DN 15	DN 15
RCC50	36	58	10	-	10	1/2" g.f. BSPP	1/2" g.f. BSPP	DN 15	DN 15
RCC50	50	80	10	-	10	1/2" g.f. BSPP	1/2" g.f. BSPP	DN 15	DN 15
RCC50	70	120	10	-	10	1/2" g.f. BSPP	1/2" g.f. BSPP	DN 15	DN 15
RCC50	95	160	9	-	9	1/2" g.f. BSPP	1/2" g.f. BSPP	DN 15	DN 15
RCC50	115	200	8	-	8	1/2" g.f. BSPP	1/2" g.f. BSPP	DN 15	DN 15
RCC62	36	90	10	-	10	3/4" g.f. BSPP	1/2" g.f. BSPP	DN 20	DN 15
RCC62	50	125	10	-	10	3/4" g.f. BSPP	1/2" g.f. BSPP	DN 20	DN 15
RCC62	70	175	8	-	8	3/4" g.f. BSPP	1/2" g.f. BSPP	DN 20	DN 15
RCC62	95	250	6	-	6	3/4" g.f. BSPP	1/2" g.f. BSPP	DN 20	DN 15
RCC62	115	300	5	-	5	3/4" g.f. BSPP	1/2" g.f. BSPP	DN 20	DN 15

MODEL NUMBER

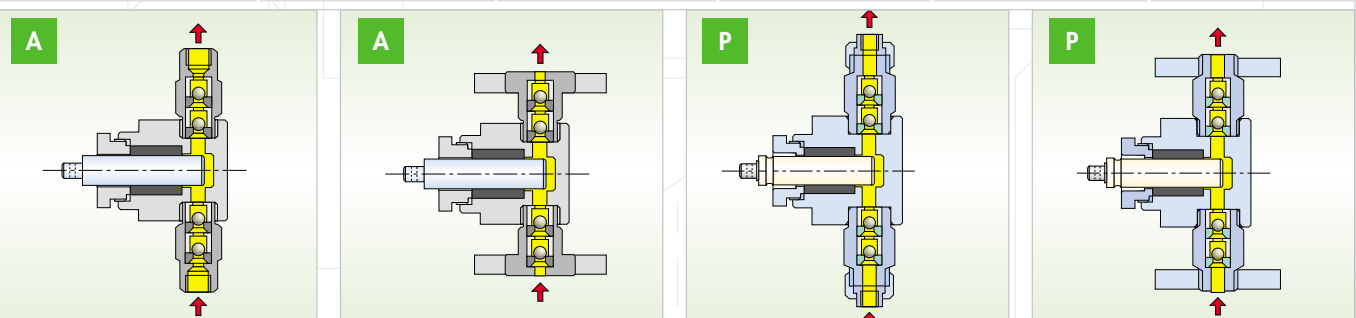
KEY TO SYMBOLS

- PUMP MODEL
- Ø PLUNGER
- A AISI-316L VERSION
- P PVC VERSION
- STROKES PER MINUTE
- Z OBL 4±20 mA ELECTRIC ACTUATOR
- W 3±15 PSI PNEUMATIC ACTUATOR
- F UNI-DIN FLANGED CONNECTIONS
- ... = 0 ± 10 BAR VERSION (NO NEED OF MODEL NO.)
- TL = 10 ± 40 BAR

RCC 30 A 95

PUMP HEADS MATERIALS OF CONSTRUCTION

PARTS	A	P	P11	ATL	AC
LIQUID END	AISI-316L	PVC	PVC	AISI-316L	AISI-316L
PLUNGER	AISI-316L	CERAMIC	CERAMIC	AISI-316L	CERAMIC
PLUNGER PACKING	PTFE	PTFE	PTFE	PTFE	PTFE
VALVE SEAT	AISI-316L	PVC	AISI-316L	AISI-316L	AISI-316L
VALVE	AISI-316L	PIREX	AISI-316L	AISI-316L	AISI-316L
VALVE SEAL	FPM	FPM	FPM	FPM	FPM



Stainless steel head. "A" execution. Threaded connections.

Stainless steel head. "A" execution. Flanged connections.

PVC head. "P" execution. Threaded connections.

PVC head. "P" execution. Flanged connections.